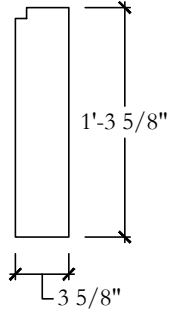


RETURN  
PROFILE

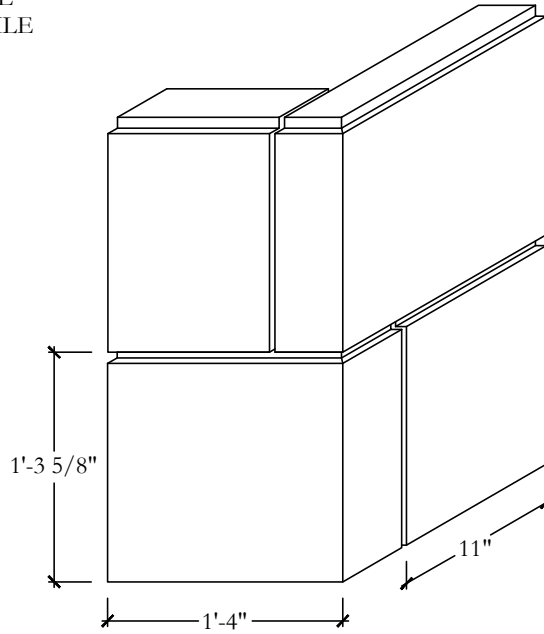


FACE  
PROFILE

COLOR: \_\_\_\_\_

QUANTITY: \_\_\_\_\_

CCS TOLERANCE:  $\pm .125$



ISOMETRIC

**Q6R (RUSTICATED STRAIGHT)**

SCALE: 1"=1'

SHOP DRAWING(S) STATUS (CHECK ONE)

RESUBMIT FOR APPROVAL:

APPROVED W/ MODIFICATIONS:

APPROVED

\_\_\_\_\_  
SIGNATURE

\_\_\_\_\_  
DATE

\_\_\_\_\_  
PRINTED NAME

**SHOP USE ONLY**

CATALOG # \_\_\_\_\_

CUSTOM ID # \_\_\_\_\_

DATE: \_\_\_\_\_

PROJECT: \_\_\_\_\_

CONTRACTOR: \_\_\_\_\_

DRAWN BY:

CHECKED BY:

SHEET NO.



734 E.169th Street, Westfield, IN 46074 Bus:(317) 896-1700 Fax:(317) 896-1701 Toll:(888) 776-9960